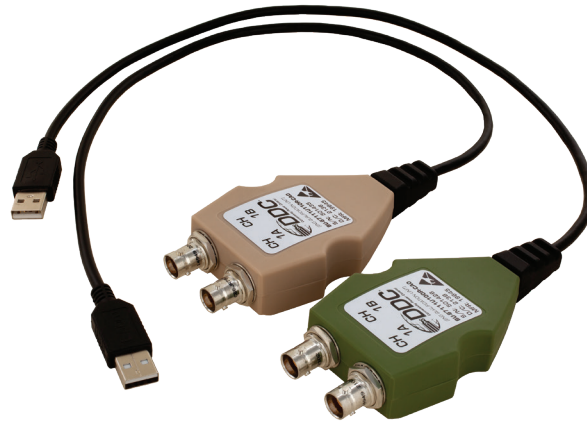


# 1553 BusLink USB to MIL-STD-1553 Adapter



Product Brief

Model: BU-67111U1X0X-CA0



DDC's 1553 BusLink USB adapter enables a dual redundant MIL-STD-1553 bus to be easily accessed from a USB connection from any small embedded system, laptop, or tablet computer. The BU-67111U1X0X is USB powered, and is based on DDC's Total-AceXtreme<sup>®</sup> MIL-STD-1553 BC/RT/MT architecture, to provide a light weight, small size and reliable MIL-STD-1553 to USB interface. The adapter provides rugged levels of shock and vibration protection, along with a maximum operating temperature range of -20°C to +60°C. The 1553 BusLink is ideal for lab or rugged applications and meets the specification for a MIL-STD-1553 adapter used on MSD-V4.

## Key Features

### Performance

- Small form factor USB adapter
- USB 2.0
- Powered via USB interface
- Utilizes DDC AceXtreme<sup>®</sup> engine

### Functionality

- One dual redundant MIL-STD-1553 channel
  - Supports MIL-STD-1553A/B/C
  - BC/MT or Multi-RT/MT
- 48-bit/100ns time stamp

### Environmental/Mechanical

- Temperature range: -20°C to +60°C operation (-40°C to +85°C storage)
- Weight: <1 lb.
- MIL-STD-810G
  - Shock: Method 516.7, Procedure IV
  - Vibration: Method 514.7, Procedure II
  - Altitude (12,500 feet): Method 500.6, Procedure II
  - Humidity (95%): Method 507.6, Procedure II
  - Sand & Dust: Method 510.6, Procedure I&II
  - Blowing Rain: Method 506.6, Procedure I
- Standard BJ77 triaxial connectors facilitate MIL-STD-1553 interface
- Durable plastic housing

## Benefits

- Small form factor USB adapter facilitates interface between USB and a dual redundant MIL-STD-1553 bus
- Small, lightweight, and low power 1553 solution
- Small form factor with USB 2.0 interface is ideal for
  - Desktops, laptops, and tablet computers
  - Any embedded box with a USB port
- Complete hardware and software solution
  - Leverages DDC's Total-AceXtreme<sup>®</sup> MIL-STD-1553 BC/RT/MT architecture and DDC's software development kit (SDK) and suite of software development tools

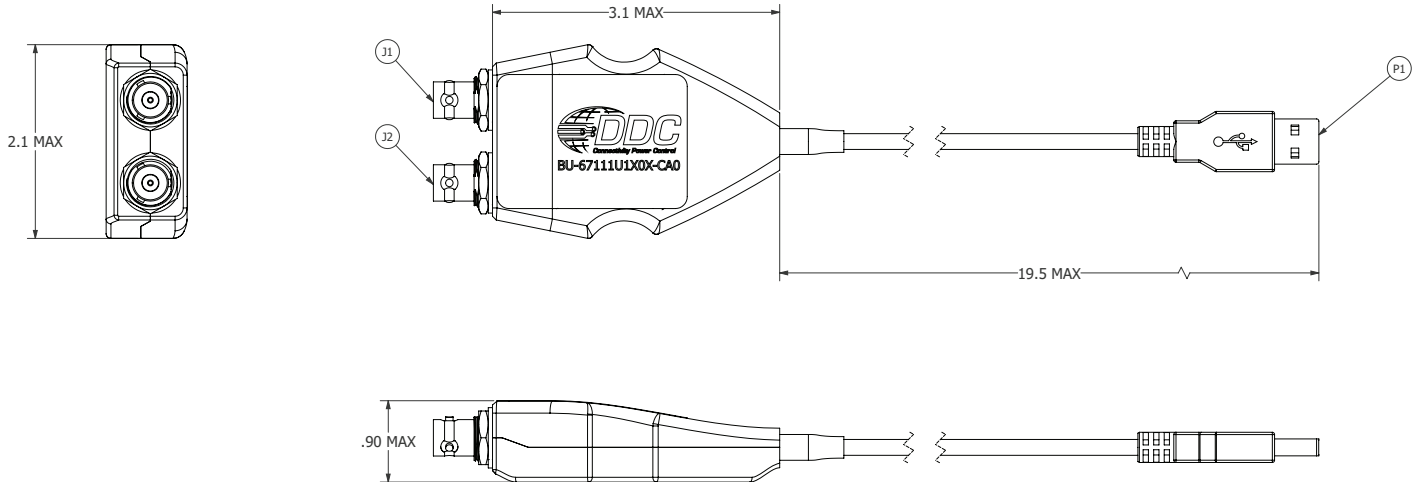
## Applications

- New product development
- System troubleshooting
- Portable testers
- Flight line diagnostics
- Flight testing
- Software development
- Systems integration labs
- Simulations
- Production test stands
- Automated test applications

**Custom Design Capability** - DDC can customize designs for all boards, ranging from simple modifications of standard products to fully customized solutions for commercial, military, aerospace, and industrial applications.

For more information: [www.ddc-web.com/BU-67111U1X0X](http://www.ddc-web.com/BU-67111U1X0X)

# Mechanical Drawing



## Ordering Information

### BU-67111U1X0X-CA0

- Operating Temperature Range:  
CA0 = -20°C to +60°C Air Cooled
- Environmental Compliance:  
R = RoHS
- Case Color:  
0 = Camouflage Green  
1 = Desert Tan
- Channel Count:  
1 = MIL-STD-1553 Channel  
(Dual Redundant)
- Small Form Factor USB to 1553

### Included Software:

- 1553 C Software Development Kit (SDK)
- Windows 2000/XP/Vista/7, Linux, and VxWorks support

## Optional Software

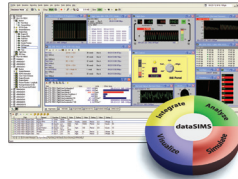
### BuTRACE® Data Bus Analyzer and Monitor Software



- Generate or monitor live MIL-STD-1553 data without writing any code
- Saves time and reduces development costs
- Program in minutes with one-click ANSI 'C' source code generation
- Rapid creation and setup of custom applications

Model: BU-69066S0-XX0

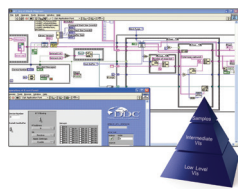
### dataSIMS Avionics Data Bus Test and Analysis Software



- Accelerates development and deployment
- Eliminates cost of learning and maintaining separate software programs
- Easy-to-use and customize
- Supports all data protocols and I/O formats

Model: BU-69414DS-64VM

### LabVIEW® & LabVIEW/LabWindows® Real Time Support



- Simple interface for quick startup and easy programming
- Access real-time 1553/429 data using LabVIEW
- Easily integrate data from different types of instruments and sensors
- Create custom user interface from scratch or by modifying samples provided

Model: BU-69093S0-XX0



### For ordering assistance and technical support,

E-Mail: [service@ddc-web.com](mailto:service@ddc-web.com)

Visit: [ddc-web.com](http://ddc-web.com)

Call: HQ, N.Y., U.S.A

UK  
Germany  
India

Data Device Corporation

1-800-DDC-5757 | (631) 567-5600

+44-(0)1635-811140

+49-(0)89-150012-11

+91-80-46797368



The information in this document is believed to be accurate; however, no responsibility is assumed by Data Device Corporation for its use, and no license or rights are granted by implication or otherwise in connection therewith. Specifications are subject to change without notice.